

Scandinavian quality
= Reliable / durable

VENTILATION non-electric

Working 24 hours/day
at no extra costs

Environmentally friendly

due to working by the use of nature's own materials : expands +retracts by heating +cooling of wax, which consists of plant oils
(= harmless to humans even if licked, as opposed to electricity failures)

5

GIGA VENT

Lifting power =

Max. opening =

Max. Weight f/hinged vent

Min. spring hold for closed vent

max 15 kg / 33 Lbs

48 cm / 18"

30 kg / 66 Lbs

2 kg / 4.5 lbs

22 kg / 49 Lbs

40 cm / 16"

44 kg / 97 Lbs

3 kg / 6.5 lbs

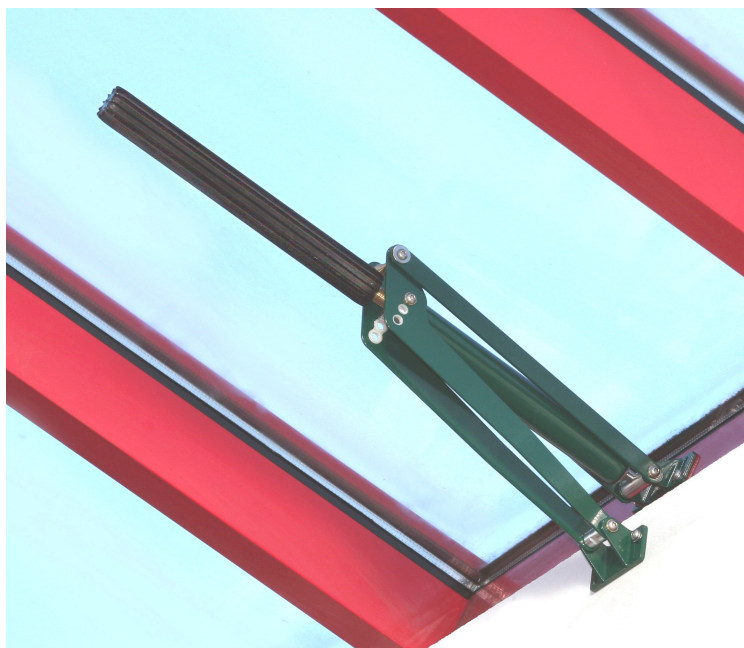
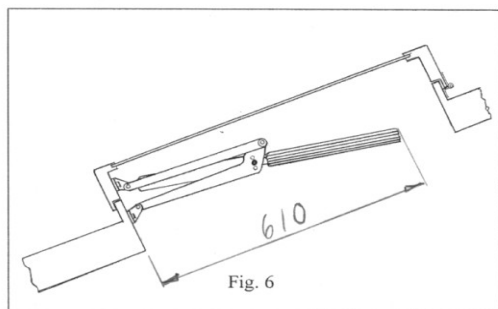
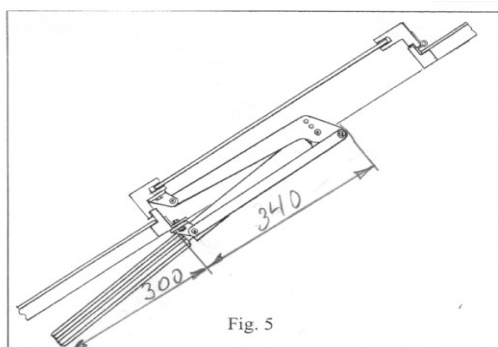
30 kg / 66 Lbs

30 cm / 12"

60 kg / 132 Lbs

4 kg / 9 lbs

Starting vent opening adjustable to any temperature between 17 and 25°C
Full opening at 30-32°C depending on setting and load.



Made of aluminium: choose between arms in natural aluminium + black cylinder
or powder painted green RAL6005 + black cylinder.
Other colours: By specific agreement.

The opener also has a hydraulic DAMPER,
preventing storm damage to vents and openers.

Can be assembled in 24 different ways
and thus can be adapted to almost every type of window or vent.