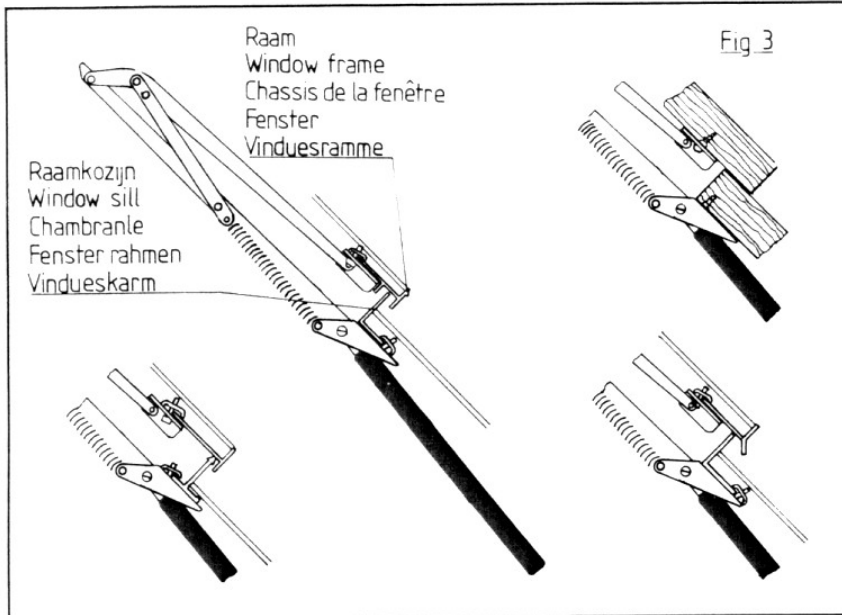
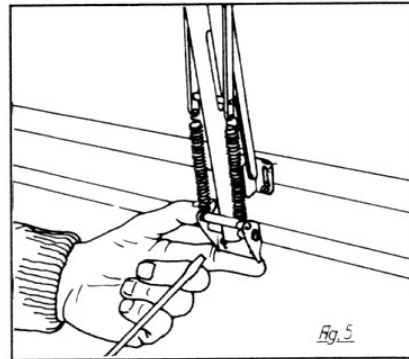
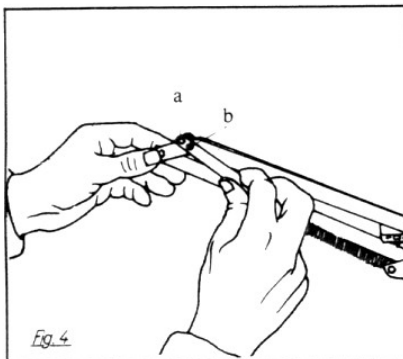


Environmentally friendly

due to working by the use of nature's own materials : expands + retracts by heating + cooling of wax, which consists of plant oils
(= harmless to humans even if licked, as opposed to electricity failures)



3. Choose the most suitable pair of holes and loosely fit the other clamp to the frame bracket (9). Ensure that the upper edge of the frame bracket is as close to the edge of the window frame as possible. See examples in fig. 3.
4. Now measure the distance that your window will open.
A. If the window will open at least 42 cm / 16 1/2'':
Fit the opener as delivered to you.
B. If the window will only open between 30 and 42 cm / 12'' and 16'':
Unscrew the screw keeping the push rods (5) and the arms (4) together. Move the assembly with the arms from hole A to hole B in the push rods as shown in fig. 4. Screw in the screw again.
5. Fit the frame bracket in the middle of the window sill, see fig. 5.
6. Fit the window bracket to the window frame just above the frame bracket. **The window must be in the closed position.**
7. Open the window sufficiently to allow you to screw the cylinder into the cylinder housing. Screw in the cylinder until the thread is equal length on both sides of the housing and release the window.



Adjustment:

It is recommended that the vent control is adjusted when the temperature in the greenhouse is constant as it will take some time before it has responded completely to changes in temperature. In order that your window opener should start opening the window at a different temperature, adjustment can be made by turning the cylinder:

Clockwise to achieve an earlier/higher opening.

Anticlockwise to achieve a later/lower opening.

One complete turn corresponds to app. 0.5°C/1°F.
-You should note that the temperature in your greenhouse may vary considerably, also at the individual windows.