

**Environmentally friendly**

due to working by the use of nature's own materials : expands + retracts by heating + cooling of wax, which consists of plant oils  
(= harmless to humans even if licked, as opposed to electricity failures)

**GIGAVENT**

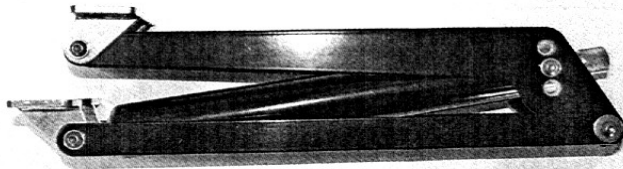


Fig. 4

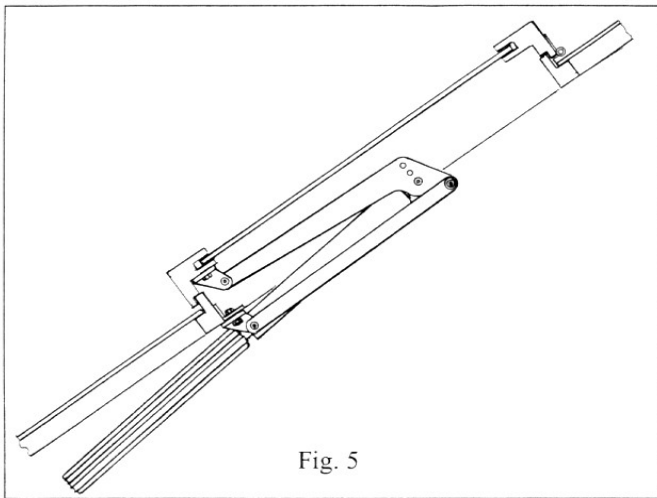


Fig. 5

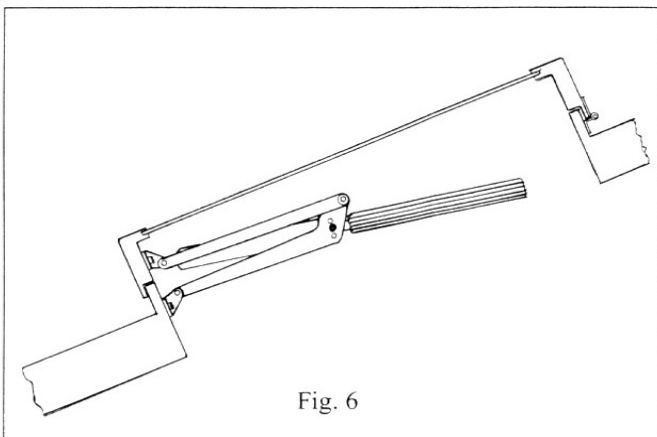


Fig. 6

One turn =  $\pm 0,5^{\circ}\text{C}$  /  $1^{\circ}\text{F}$ , and turning clockwise = earlier opening start, while anti-clockwise = later opening start.

Adjustable anywhere between  $17^{\circ}$  og  $25^{\circ}\text{C}$

**VARYING OPENING HEIGHTS**

Having more than one vent control in the same house room ? Please notice, that the temperature may vary significantly within even short distances - f.i. between floor and ceiling, between sun and shadow, between close at a window and in the centre of the room.

**MAINTENANCE**

Grease ALL moveable connections + the piston rod at least **once a year** using acid free oil or teflon spray.

**INSTALLATION :**

- 1 Firstly you will have to choose in which direction you want the spring/shockabsorber – and later the cylinder- to face (see fig. 5+6). If it does not by delivery face in the desired direction, then you yourself can undo it and turn it a  $180^{\circ}$  (see fig. 2 + 3 + 4) before refastening it.
- 2 When reassembling you will have to choose which of the 3 locks (A-B-C) to use for fastening the arms (= deciding your openingheight).
- 3 Now it is time to hold the control up against the place where you want it to be installed.
- 4 Turn the reliefbolt (relieves the springload during installation) until the arms all by themselves stay in the desired position for being fastened. Now the brackets can be fastened to the frame and the sill (see fig. 5 + 6), while the window or the lid is kept closed. Notice : the arms closest to the window should be parallel to it (see fig 5 + 6).
- 5 Now it is time to install the cylinder (ribtube), but this cannot be done until the reliefbolt has been removed. If the cylinder is warm already (or has been warm), then the piston rod has started moving outwards. You then need to open the window/lid by hand, just enough for the cylinderthread to catch the thread inside the spring/shockabsorber!

Made in Denmark by J. Orbesen Teknik ApS,  
Esterhøjvej 57, DK-4550 Asnaes,  
Ph +45-59651717 Fax +45-59651286  
www.auto-solarvent.com

Any questions or problems with the GIGAVENT :  
don't hesitate to contact us.