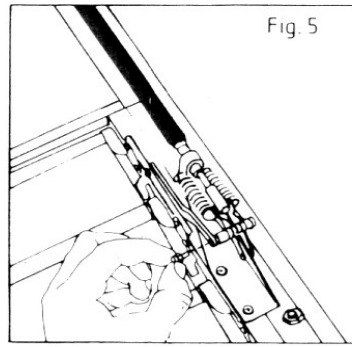
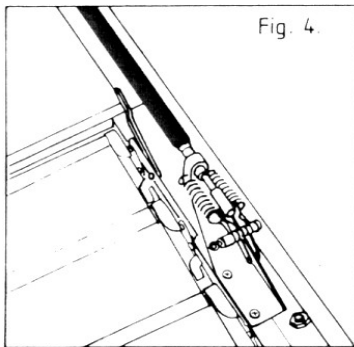


Environmentally friendly

due to working by the use of nature's own materials : expands + retracts by heating + cooling of wax, which consists of plant oils
(= harmless to humans even if licked, as opposed to electricity failures)



B. Louvres with a straight link arm (19). See fig. 3

8. The handle (14) and the straight link arm (19) are dismantled by removing the rivets (20) and (21) in said order. This is done by either drilling or filing.

The fitting as described in steps 8-13 is carried out in the best end easiest way when the louvre is removed from the greenhouse and the glass removed from the louvre.

9. Fit the stepped link arm (9) to the louvre bar (16) using the rivet (11), the lock washer (12) and the nylon washer (13), see fig. 8.

10. As described in step A. 3.

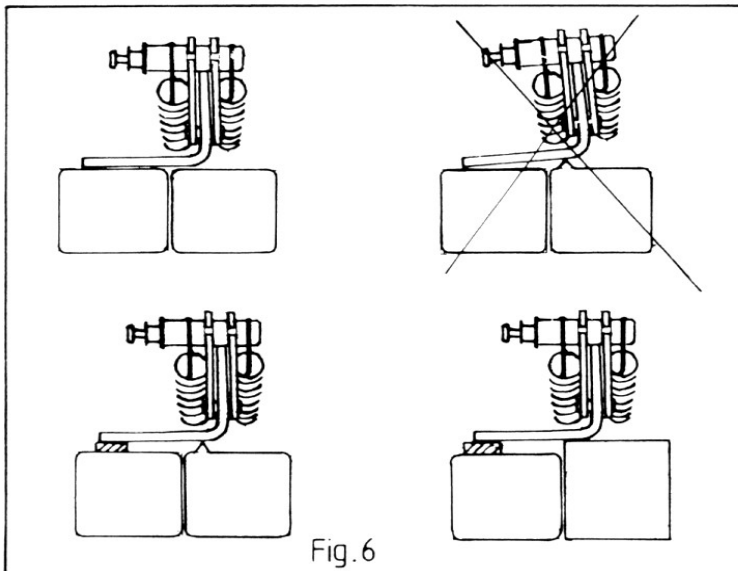
11. As described in step A. 5.

12. Lay the opener against the louvre frame (15). Push the opener upwards until the window is fully closed. Make sure that the opener is at right angle with the louvre frame (15) and parallel with the louvre bar (16), see fig. 5. Mark the position of the holes.

13. Drill two holes, 3 mm (1/8") diameter where marked and tighten the opener loosely by means of the self-cutting screws (10).

14. As described in step A. 6.

15. As described in step A. 7.



Maintenance:

Lubricate all movable parts with light oil after fitting as well as each Spring and once or twice during the Summer. Use grease or petroleum jelly for lubrication of cylinder thread.

Winter storage:

Dismount the entire opener, or just the cylinder if this is easier. Store it in a dry place throughout the winter.

Do not forget to lubricate especially the piston rod and the cylinder thread before mounting next spring.

See that the piston rod slides easily backwards and forwards.

Guarantee

A correctly fitted and used LOUVRE OPENER is guaranteed for 1 years.

Adjustment.

It is recommended that the LOUVRE OPENER be adjusted when the temperature in the greenhouse is constant, as it takes some time before it has responded completely to changes of temperature.

If you want the opener to start opening the window at another temperature, adjustment may be made by turning the cylinder:

Clockwise: To achieve an earlier/higher opening.

Counter-clockwise: For a later/lower opening.

One turn corresponds to approximately 0,5° C/ 1°F. You should not overlook the fact that the temperature might vary quite a lot in the same greenhouse, and at the separate windows.

